

1-663-1SA



FEATURES

- // Capable of 10,000 Lbs. of service clamp force, and 10,000 Lbs. of mechanical clamp force
- // Ideal for mount on driveline or in the wheel
- // One piece nodular iron housing
- // Square seal piston retraction for constant running clearance
- // Integral secondary/park brake self adjusts for pad wear
- // Choice of CW or CCW lever actuation
- // Variety of inlet and bleeder options for mounting flexibility
- // Supplied with mount bolts and sealed and lubricated slider pins
- // Quick change pads

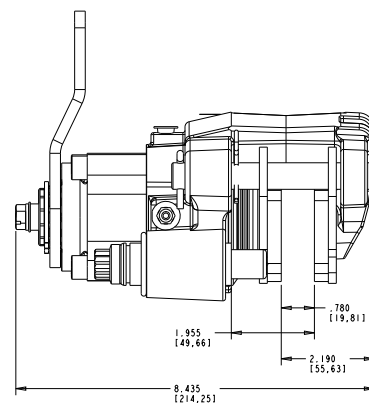
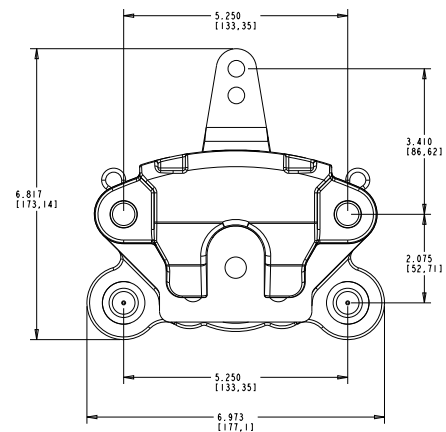


SPECIFICATIONS

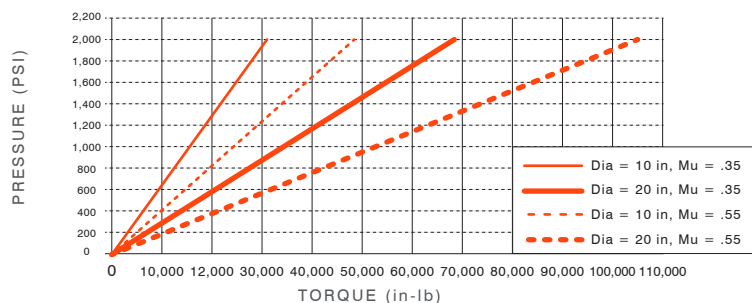
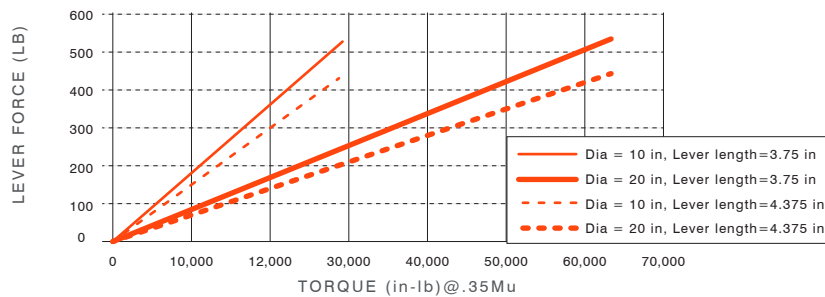
WEIGHT	21 Lbs.
ROTOR DIAMETER	10" - 20"
LINING TYPE	Non-Asbestos Organic, Sintered, Semi-Metallic
TOTAL LINING AREA	14.5 Sq. In.
USABLE LINING THICKNESS PER PAD	.328"
PISTON DIAMETER	2.6"
MAX PRESSURE	2000 Psi
FLUID DISPLACEMENT	.20 Cu. In.
FLUID TYPE	Brake Fluid, Hydraulic Oil
FLUID INLET	12:00, 3:00, 9:00
BLEEDER	12:00, 3:00, 9:00

Specifications are guidelines only and subject to change. Consult Hayes Performance Systems for specific model, part number, and assembly drawings - contact@hbpsi.com.

REFERENCE DIMENSIONS



TORQUE INFORMATION



hayesbrake.com | 5800 W. Donges Bay Road, Mequon, WI 53092