

2510M



FEATURES

- // Capable of 2,500 Lbs. of clamp force
- // Economical heat treated stamped steel construction
- // Zinc finish resists rust and corrosion
- // Large friction area for extended pad life
- // Choice of CW or CCW lever actuation
- // Can be fixed or floating mounted
- // Mount Bracket optional, consult Hayes for available options

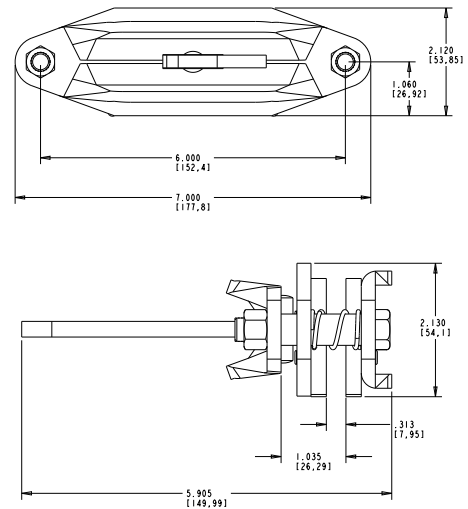


SPECIFICATIONS

WEIGHT	2.8 Lbs.
ROTOR DIAMETER	5" - 8.5"
ROTOR THICKNESS	.156" - .375"
LINING TYPE	Non-Asbestos Organic
TOTAL LINING AREA	11 Sq. In.
USABLE LINING THICKNESS PER PAD	.13"

Specifications are guidelines only and subject to change. Consult Hayes Performance Systems for specific model, part number, and assembly drawings - contact@hbpsi.com.

REFERENCE DIMENSIONS



TORQUE INFORMATION

