

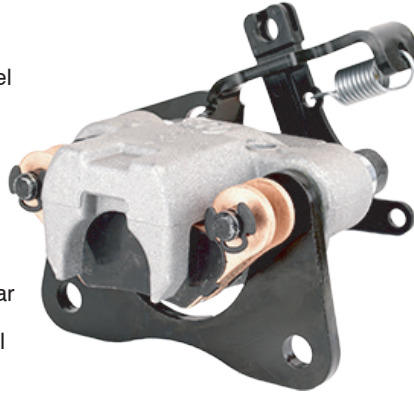
# RHINO 1.25"

MEDIUM DUTY FLOATER, SERVICE AND PARK



## FEATURES

- // Capable of 1,840 lbs. of service clamp force and 2,000 lbs. of mechanical clamp force
- // Compact size ideal for mounting inside the wheel
- // One piece cast aluminum housing
- // Square seal piston retraction for constant running clearance
- // Removable pad pin design for mounting ease
- // Integral park brake manually adjusts for pad wear
- // Quick change pads with long life friction material
- // Integral cable reaction bracket

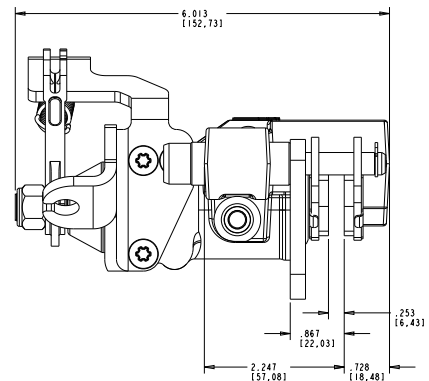
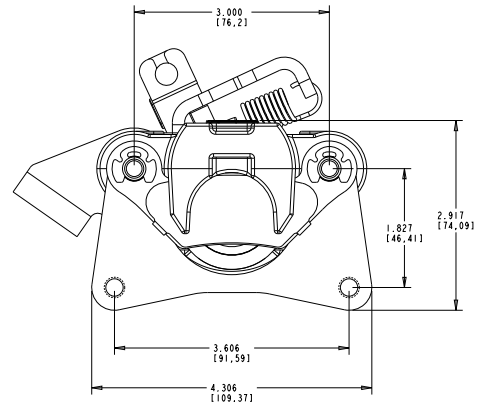


## SPECIFICATIONS

WEIGHT	2.75 Lbs.
ROTOR DIAMETER	6-10"
ROTOR THICKNESS	.156" To .250"
LINING TYPE	Semi-Metallic, Sintered, Non-Asbestos Organic
PISTON DIAMETER	1.25"
MAX PRESSURE	1500 Psi
FLUID TYPE	Brake Fluid
FLUID INLET	0, 12:00, 3:00, 9:00
BLEEDER	0, 12:00, 3:00, 9:00

Specifications are guidelines only and subject to change. Consult Hayes Performance Systems for specific model, part number, and assembly drawings - contact@hbpsi.com.

## REFERENCE DIMENSIONS



## TORQUE INFORMATION

