

# MX SNOW



## FEATURES

- // Lightweight mechanical park caliper
- // Capable of 1200 lb clamp force
- // Bushing mount for caliper float to align with rotor

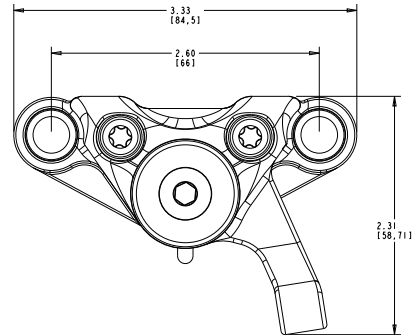


## SPECIFICATIONS

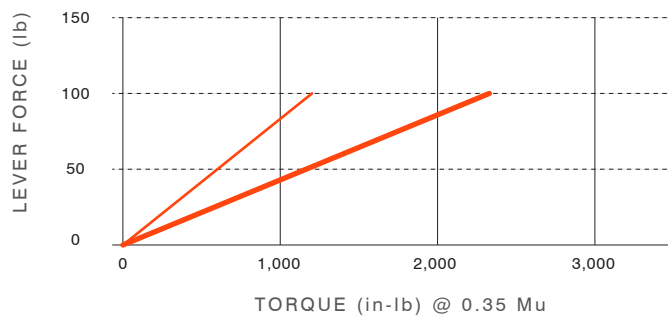
WEIGHT	0.8 Lbs.
ROTOR THICKNESS	Max 5.5mm
LINING TYPE	Sintered
USABLE LINING THICKNESS PER PAD	0.094"

Specifications are guidelines only and subject to change. Consult Hayes Performance Systems for specific model, part number, and assembly drawings - contact@hbpsi.com

## REFERENCE DIMENSIONS



## TORQUE INFORMATION



- Dia = 6 in, Mu = 1.25
- Dia = 10 in, Mu = 1.25

