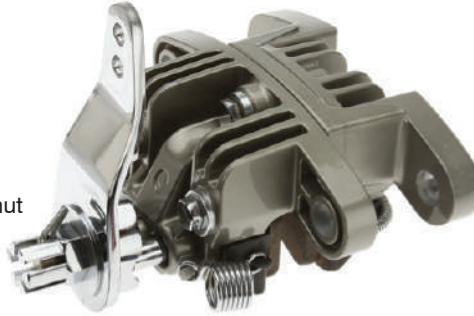


600M



FEATURES

- // Capable of 5,000 lbs. of clamp force
- // Lightweight die cast aluminum housing
- // Designed for quick change friction pads
- // Unique dual mounting lugs permit either fixed or floating mount
- // Pad wear adjustment quickly completed by removal of cotter pin and adjustment to takeup nut
- // Quick rise on cam for maximum lever efficiency
- // Push pin to housing seals
- // Both CW and CCW lever actuation

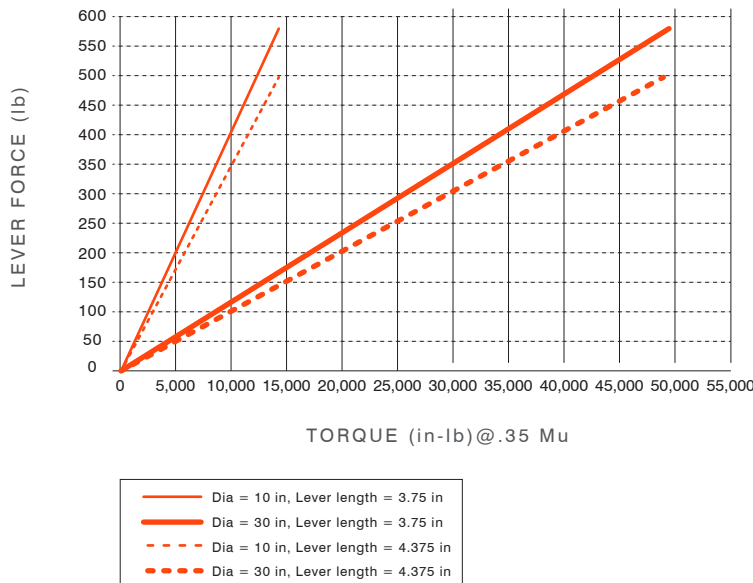


SPECIFICATIONS

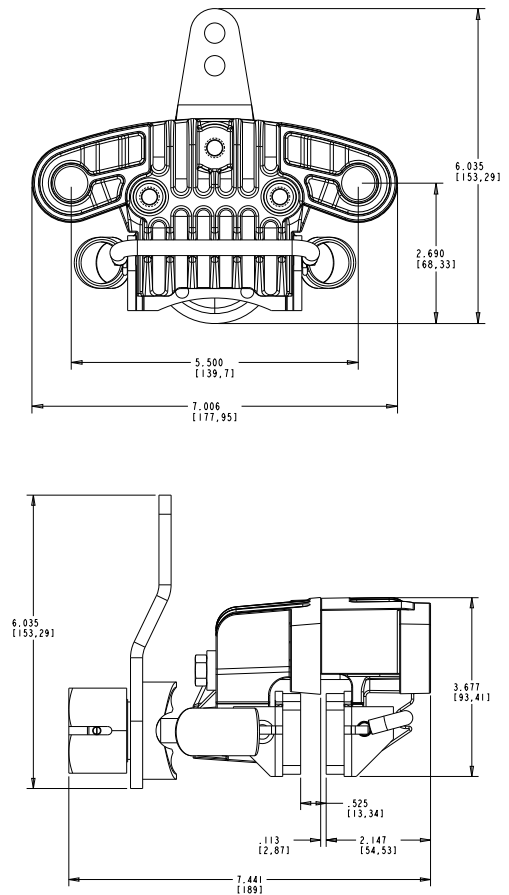
WEIGHT	6 Lbs.
ROTOR DIAMETER	10" - 30"
ROTOR THICKNESS	.375" -.500"
LINING TYPE	Sintered, Non-Asbestos Organic
TOTAL LINING AREA	8.6 Sq. In.
USABLE LINING THICKNESS PER PAD	.30"

Specifications are guidelines only and subject to change. Consult Hayes Performance Systems for specific model, part number, and assembly drawings - contact@hbpsi.com.

TORQUE INFORMATION



REFERENCE DIMENSIONS



hayesbrake.com | 5800 W. Donges Bay Road, Mequon, WI 53092