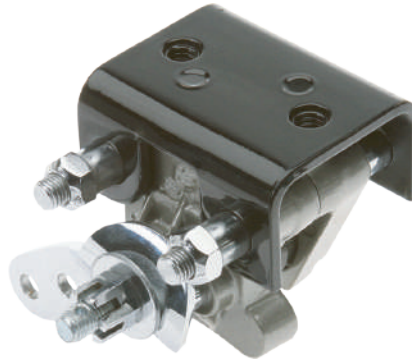


# 210M



## FEATURES

- // Capable of 300 Lbs. of clamp force
- // Lightweight two piece die cast housing
- // Available with floating mount bracket, or can be fix mounted
- // Cable or push rod actuation
- // Available with either non asbestos organic or sintered metallic pads
- // Both CW and CCW lever actuation

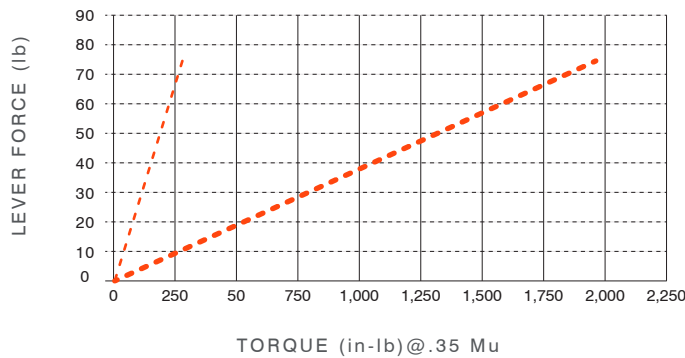
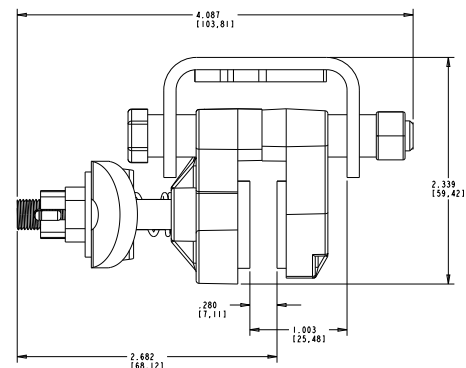
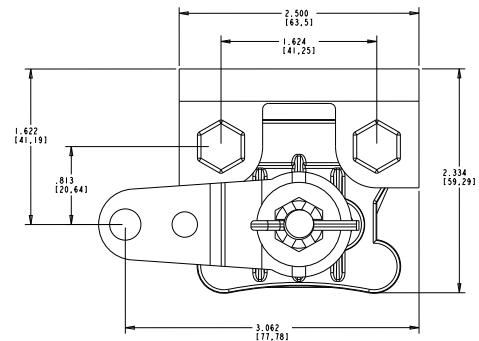


## SPECIFICATIONS

WEIGHT	1.1 Lbs.
ROTOR DIAMETER	4" And Up
ROTOR THICKNESS	.120" - .195"
LINING TYPE	Non-Asbestos Organic
TOTAL LINING AREA	1.68 Sq. In.
USABLE LINING THICKNESS PER PAD	.125"

Specifications are guidelines only and subject to change. Consult Hayes Performance Systems for specific model, part number, and assembly drawings - contact@hbpsi.com.

## REFERENCE DIMENSIONS



- - - Dia = 4 in, Lever length = 1.84 in  
. . . Dia = 20 in, Lever length = 1.84 in