



RHINO 1.0”

FEATURES

- Capable of 5235,55 N of service clamp force and 8896,44 N of mechanical clamp force
- Compact size ideal for mounting inside the wheel
- One piece cast aluminum housing
- Square seal piston retraction for constant running clearance
- Removable pad pin design for mounting ease
- Integral park brake manually adjusts for pad wear
- Quick change pads with long life friction material
- Integral cable reaction bracket

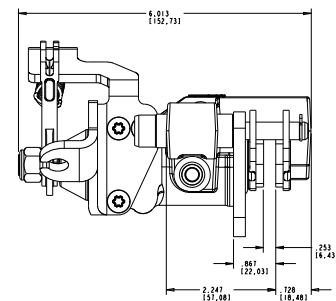
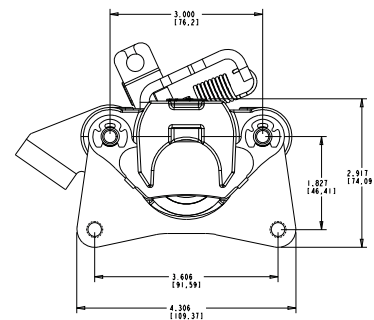


SPECIFICATIONS

Rotor Diameter	152,4 mm - 254 mm
Weight	1,25 Kg
Rotor Thickness	3,96 mm - 6,35 mm
Lining Type	Semi-Metallic, Sintered, Non-Asbestos Organic
Piston Diameter	25,4 mm
Max Pressure	103,42 bar
Fluid Type	Brake Fluid
Fluid Inlet	0,12:00, 3:00, 9:00
Bleeder	0,12:00, 3:00, 9:00

Specifications are guidelines only and subject to change. Consult Hayes Performance Systems for specific model, part number, and assembly drawings -contact@hbpsi.com.

REFERENCE DIMENSIONS



TORQUE INFORMATION

