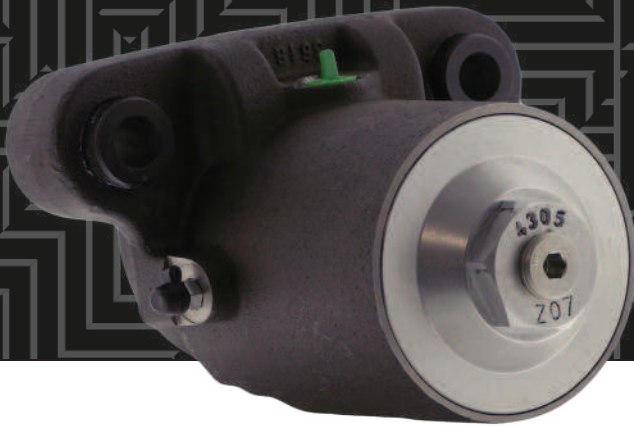


M75 iSAHR



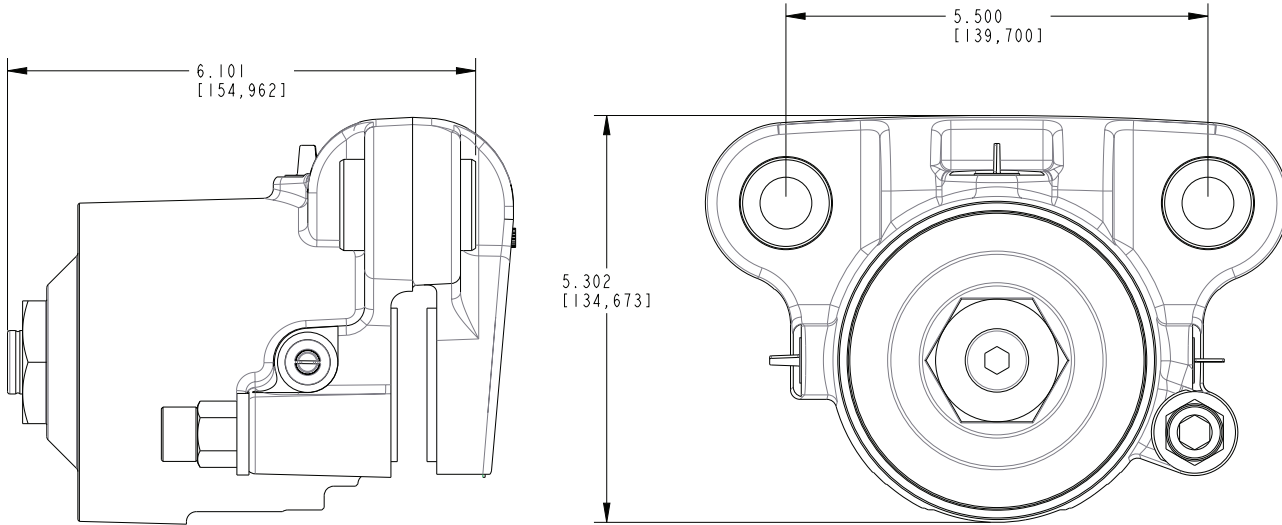
M75 iSAHR

- ▶ SELF-ADJUSTING FOR PAD WEAR
- ▶ FAIL-SAFE iSAHR TECHNOLOGY
- ▶ PATENTED TECHNOLOGY
- ▶ COMPACT DESIGN AND SEALED ACTUATION MECHANISM
- ▶ DESIGNED TO SUPPORT ISO 3450 AND ISO 13849 COMPLIANCE
- ▶ COMMON TOOL MANUAL RELEASE ACCESS
- ▶ SIMPLE LOW TORSION LOAD MOUNTING

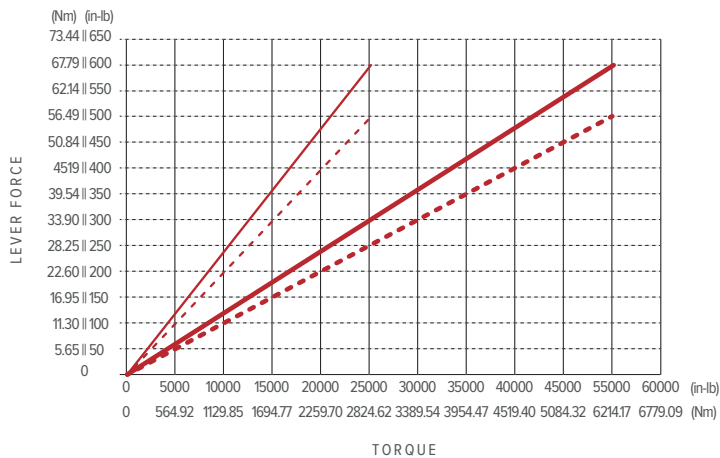
SPECIFICATIONS

WEIGHT	21.00 lb [9.53 kg]
ROTOR DIAMETER	10.0 - 24.0 in [254 - 610 mm]
AVAILABLE ROTOR THICKNESS	0.375 - 0.500 in [9.5 - 12.7 mm]
TOTAL LINING AREA	4.04 in ² [26.06 cm ²]
USABLE LINING THICKNESS PER PAD	0.121 in [3.1 mm]
LINING TYPE	Sintered, Semi-Met
TYPE OF CALIPER	Parking Brake (iSAHR)
SAHR MIN HOLD PRESSURE	1700 psi [117 bar]
SAHR MAX HOLD PRESSURE	3000 psi [207 bar]
CLAMP FORCE	7,500 lbf [33,360 N]

PRODUCT DIMENSIONS



TORQUE INFORMATION



- Dia = 10in (254mm), Lever length = 3.325in (84.46mm)
- Dia = 18in (457.2mm), Lever length = 3.325in (84.46mm)
- - - Dia = 10in (254mm), Lever length = 4in (101.6mm)
- - - Dia = 18in (457.2mm), Lever length = 4in (101.6mm)